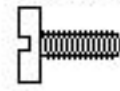
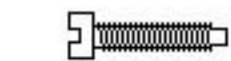
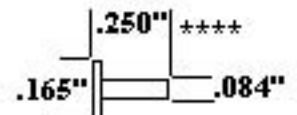
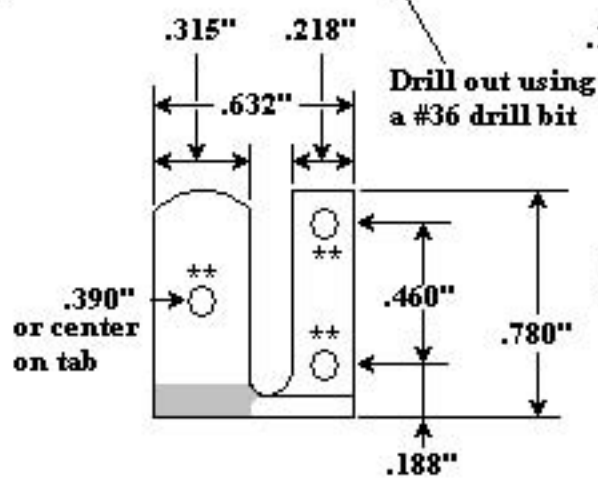
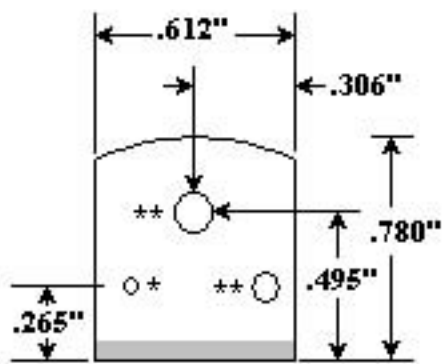


All screws are Cheese Head type

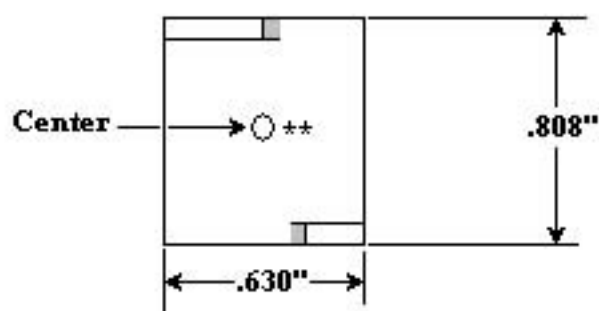
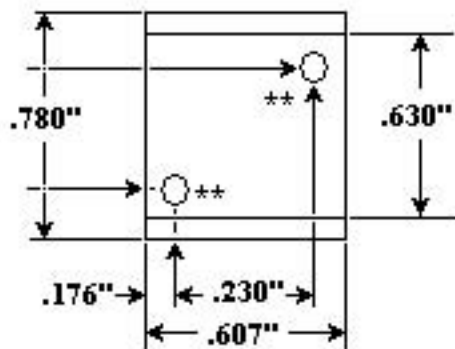


* #2-56

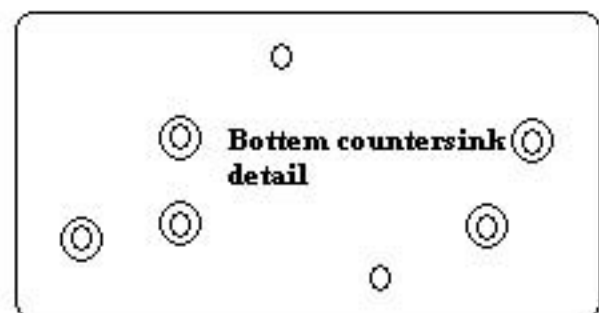
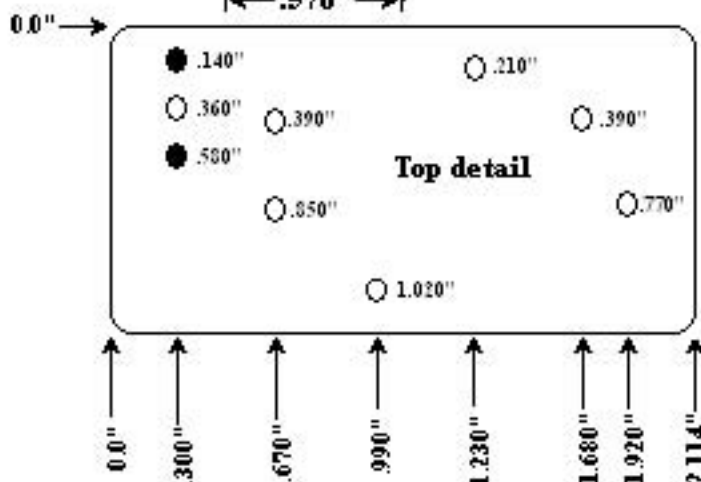
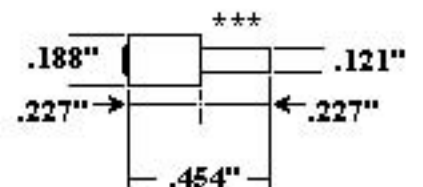
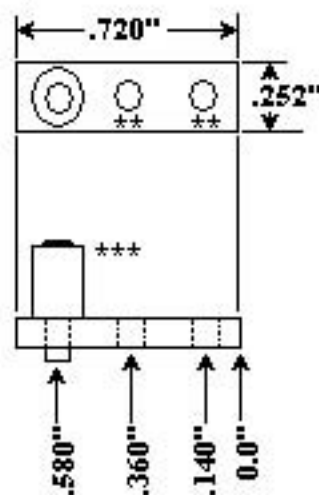
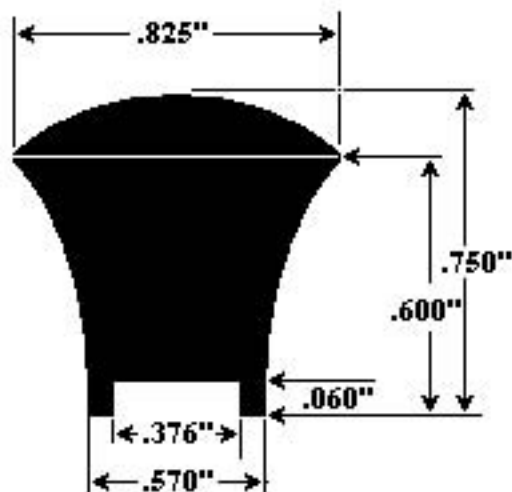
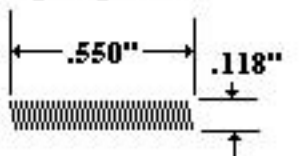
** #4-48



Detail of the spring and gap adjustment screws
1/2" long X #4-48 W/ 3/32" nub for spring



Spring detail



The base plate is 2.116" X 1.245" and .266" thick
Made of Bakelite

Drawing of the B2 India key by Gary Giles KF9CM